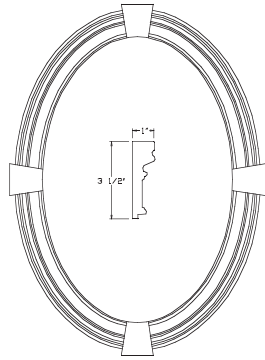


# OVALS & ROUND TRIMS

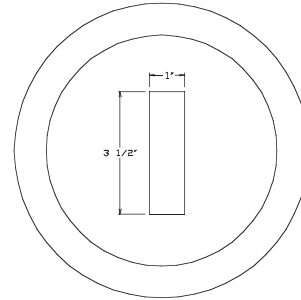
## WINDOW TRIMS

### 88 Series Oval Casing

88 Series 3 1/2" Moulded Oval Casing with attached keystones. Manufactured to fit Andersen® oval windows OVL1824 and OVL2030



PART #	INSIDE HEIGHT	INSIDE WIDTH	PROJ
880VK/1931	31"	19"	1 1/4"
880VK/2028	28"	20"	1 1/4"
880VK/2335	35"	23"	1 1/4"
880VK/2436	36"	24"	1 1/4"
880VK/3048	48"	30"	1 1/4"
880VK/3346	46"	33 3/4"	1 1/4"
880VK/3656	56"	36"	1 1/4"
880VK/4052	52"	40"	1 1/4"

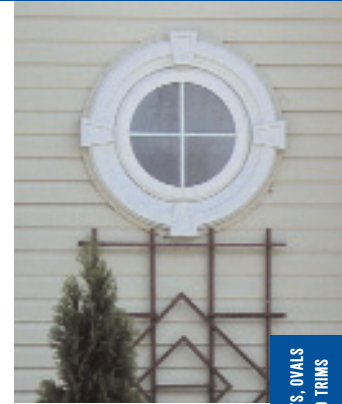


### FA4R Series Round Casing

3 1/2" Round Flat Casing

PART #	INSIDE DIAMETER	PROJ
FA4R/23 1/2	23 1/2"	1"

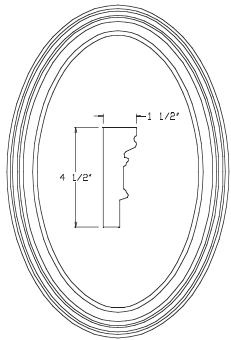
AVAILABLE IN ANY SIZE



SUNBURSTS, OVALS & ROUND TRIMS

### 87 Series Oval Casing

87 Series 4 1/2" Moulded Casing surrounds Andersen® OVL2030 for Keystone(s) use 87K1

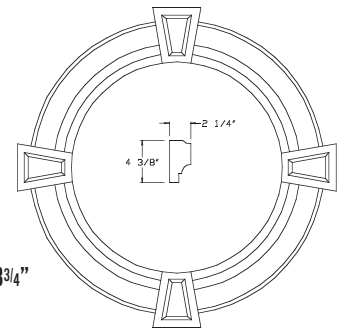


PART #	870V/2436
INSIDE HEIGHT	36"
INSIDE A WIDTH	24"
PROJ	1 1/2"

### Keystone Casing

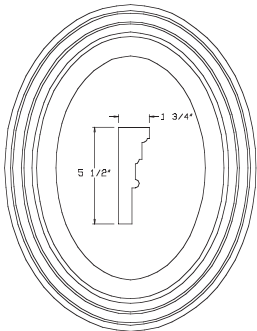
All Keystones Moulded to Casing

PART #	66KR/22	66KR/24	66KR/33 3/4"
INSIDE DIAMETER	22"	24"	33 3/4"
KEY TO KEY	36"	36"	45 3/4"
PROJ	3 7/8"	3"	3"



### 55 Series Oval Casing

55 Series 5 1/2" Moulded oval casing For keystone(s) use AM55/K1

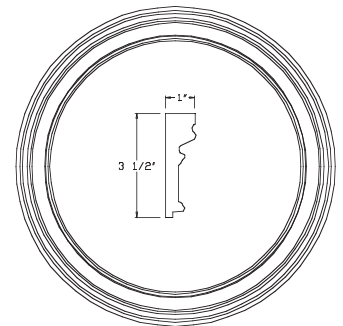


PART #	INSIDE HEIGHT	INSIDE WIDTH	PROJ
550V/1624	24"	16"	3/4"
550V/3656	56 1/2"	36"	3/4"

### 88 Series Round Casing

88 Series 3 1/2" Round Moulded Casings For Keystone(s) use 88K1

PART #	INSIDE DIAMETER	PROJ
88R24	23 1/2"	1 1/4"
88R28	28"	1 1/4"
88R36	36"	1 1/4"



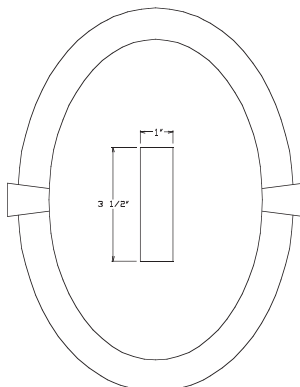
### FA104 Series Oval Casing

Manufactured to fit Andersen® oval windows OVL1824, OVL2030 and OVL3048

FA104 Series 3 3/4" Oval Casing with attached Keystones For additional Keystones use FA104/K1

PART #	INSIDE HEIGHT	INSIDE WIDTH	PROJ
FO/2028	28 3/8"	19 1/2"	1"

AVAILABLE IN ANY SIZE



### Round Brick Moulding Trim

BMTR Round 2" Brick Moulding Trim For Keystone(s) use BMK

PART #	BMTR/22 1/2"
DIAMETER	22 1/2"
PROJ	1 1/4"

